

SBS SERIES

Soft Bearing Suspension for Dynamic
Balancing

SBS-30 high precision floating suspension components provide highly accurate horizontal balancing capabilities for rotors up to 30kg (66 lbs).



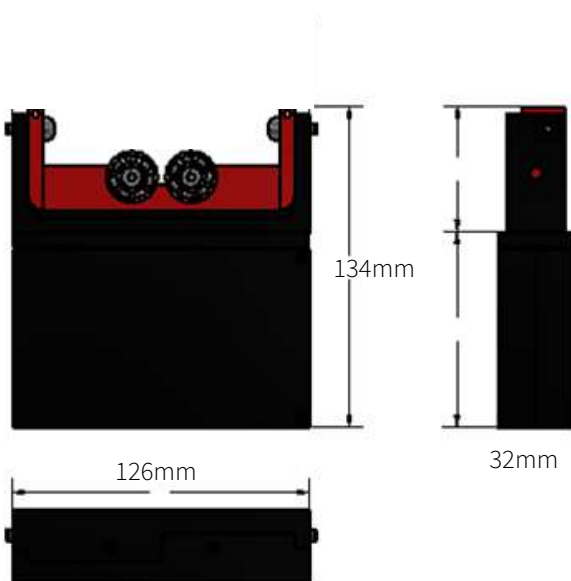
Features

The SBS-30 Soft Bearing Suspension System has a capacity of up to 30 kg (15 kg per base) allowing you to balance rotors with a shaft up to 63.5 mm (2.5 in) in diameter.

- Soft bearing suspension system
- Cantilever supports
- High sensitivity and precision
- Easy installation
- Compatible with any type of accelerometer

Technical Specs

Max symmetric load	30 kg (66 lb) Pair 15 kg (33 lb) Unit
Minimum load	0.1 kg (0.22 lb)
Dimensions	126 x 32 x 134 mm
Weight	0.9 kg (2 lb) / Unit
Maximum axial load	2.21 N (0.50 lbf)
Bearing width	8 mm (0.313 in)
Maximum shaft diameter	63.5 mm (2.5 in)
Precision	0.01 g.mm/kg
Lock System	No
Elevation system	No
Accelerometer	Optional

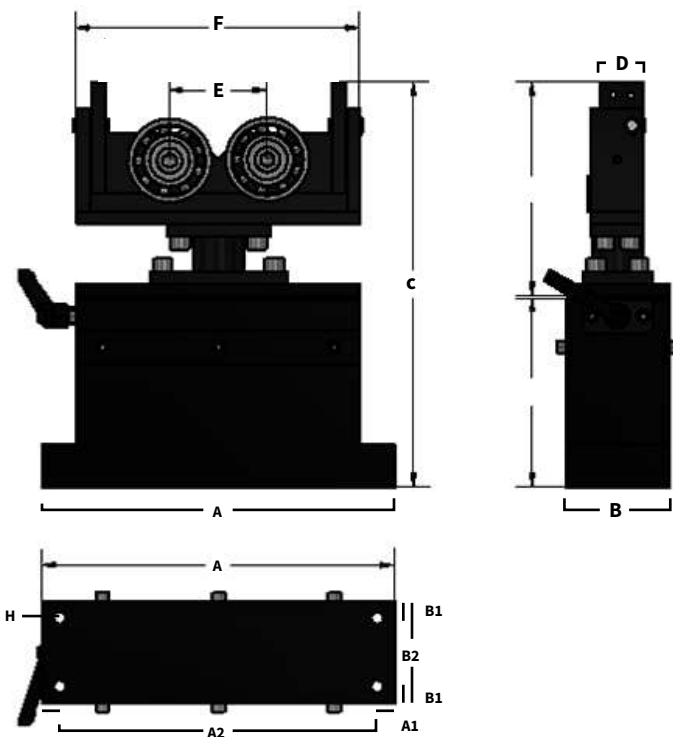


The **SBS-300** high precision floating suspension components provide highly accurate horizontal balancing capabilities for rotors up to 300kg (660lbs).



Features

The SBS-300 can support up to 300 kg (150 kg per base) and shaft diameters of up to 101 mm (4in). An elevation screw permits height adjustment up to 25.4 mm (1 in) in case rotor supports differ in diameter. Floating independent 3-axis adjustment provides auto-alignment of the rotor and permits easy loading/unloading.



Technical Specs

Max symmetric load	300 kg (660 lb) Pair 150 kg (330 lb) Unit
Minimum load	1 kg (2.20 lb)
Dimensions	260 x 81 x 286 mm
Weight	12 kg (26 lb) / Unit
Maximum axial load	22.1 N (4.96 lbf)
Bearing width	16 mm (0.630 in)
Maximum shaft diameter	15 mm (0.600 in)
Precision	0.01 g.mm/kg
Lock System	Yes
Elevation system	12.70 mm (0.5 in)
Accelerometer	Optional
Maximum shaft diameter With negative load supports	101 mm (4 in)

A: 260.4 mm / 10.25"	C: 289 mm / 11.375"
A1: 12.7 mm / 0.5"	D: 38.1 mm / 1.5"
A2: 238 mm / 9.375"	E: 73 mm / 2.875"
B: 81 mm / 3.192"	F: 212.7 mm / 8.374"
B1: 15.1mm / .596"	G: 9.5 mm / 0.375"
B2: 50.8 mm / 2"	H: 12.7 mm / 0.5"

The **SBS-1000** high precision floating suspension components provide highly accurate horizontal balancing capabilities for rotors up to 1000kg (2200lbs).



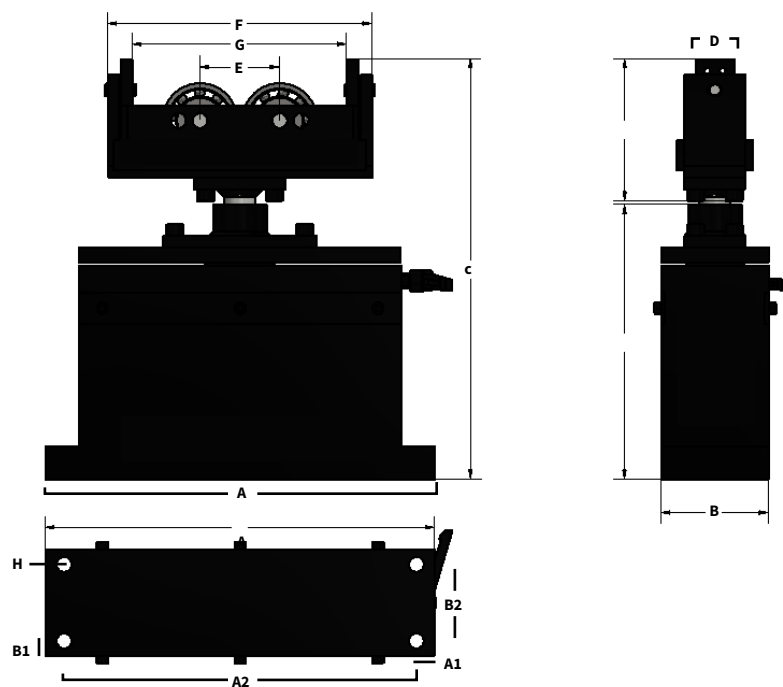
Features

The SBS-1000 can support up to 1000kg (500kg each base). The bearings have 2 positions, permitting diameters up to 152mm (6in) for accurate leveling, in case rotor supports differ in diameter.

Technical Specs

Max symmetric load	1000 kg (2200 lb) Pair 500 kg (1100 lb) Unit
Minimum load	3 kg (6.6 lb)
Dimensions	322 x 95 x 330 mm
Weight	20 kg (44 lb) / Unit
Maximum axial load	76.5 N (16.53 lbf)
Bearing width	16 mm (0.630 in)
Maximum shaft diameter	20 mm (0.788 in)
Precision	0.01 g.mm/kg
Lock System	Yes
Elevation system	12.70 mm (0.5 in)
Accelerometer	Optional
Maximum shaft diameter With negative load supports	152 mm (6 in)

A: 322.6 mm / 12.7"	C: 330 mm / 13"
A1: 15 mm / 0.6"	D: 50.8 mm / 2"
A2: 292 mm / 11.5"	E: 66.7 mm / 2.625"
B: 95 mm / 3.75"	F: 102 mm / 4"
B1: 15.8 mm / .622"	G: 178 mm / 7"
B2: 63.5 mm / 2.5"	H: 12.7 mm / 0.5"

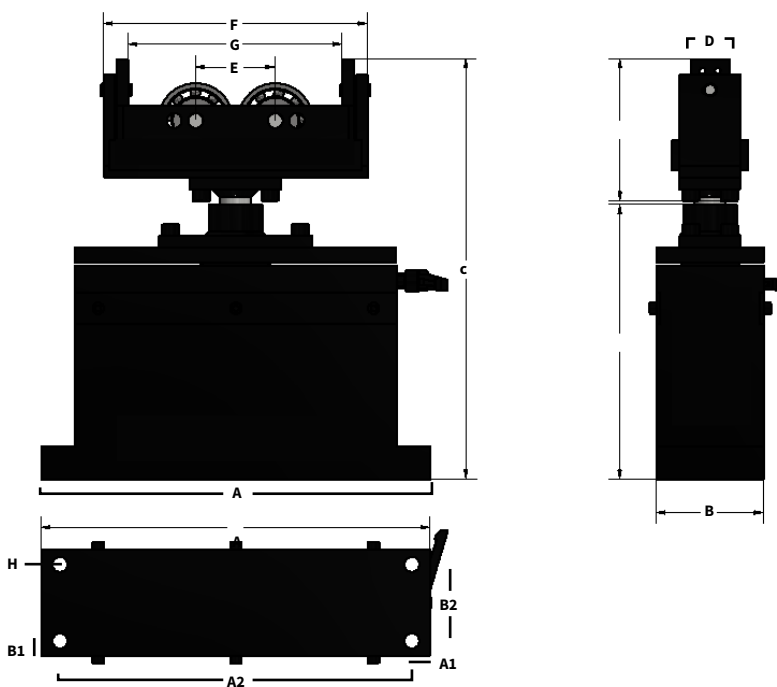


SBS-2000 provides highly accurate horizontal balancing capabilities for rotors up to 2000kg (4400 lbs).



Features

SBS-2000 can support up to 2000kg (1000kg each base) and the bearings have 2 positions permitting diameters up to 203mm (8in) for accurate leveling, in case rotor supports differ in diameter.



Technical Specs

Max symmetric load	2000 kg (4400 lb) Pair 1000 kg (2200 lb) Unit
Minimum load	5 kg (11 lb)
Dimensions	381 x 114 x 457 mm
Weight	35 kg (77 lb) / Unit
Maximum axial load	147 N (33 lbf)
Bearing width	38 mm (1.5 in)
Maximum shaft diameter	25.4 mm (1 in)
Precision	0.01 g.mm/kg
Lock System	Yes
Elevation system	12.70 mm (0.5 in)
Accelerometer	Optional
Maximum shaft diameter With negative load supports	203 mm (8 in)

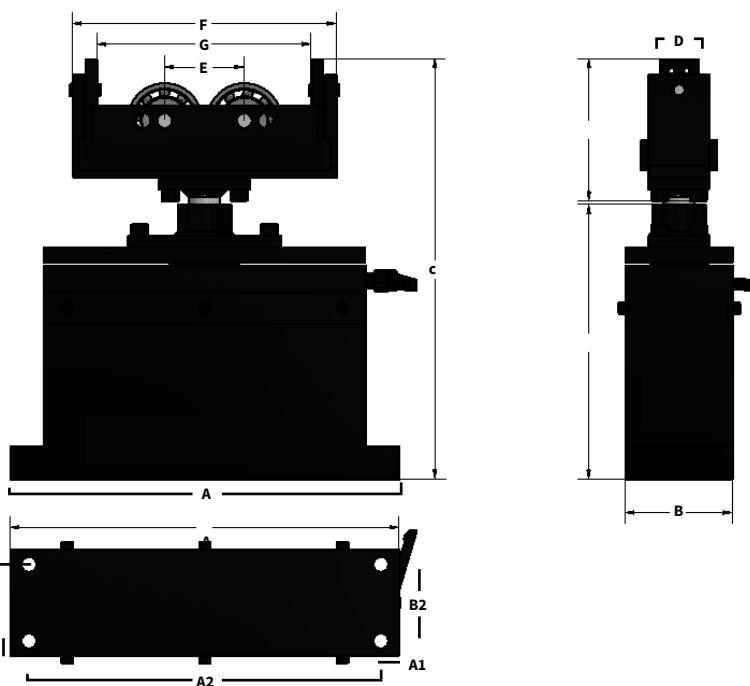
A: 384 mm / 15.125"	C: 457 mm / 18"
A1: 12.7 mm / 0.5"	D: 63 mm / 2.5"
A2: 359 mm / 14.125"	E: 92 mm / 3.625"
B: 127 mm / 5"	F: 117 mm / 4.625"
B1: 25.4 mm / 1"	G: 238 mm / 9.375"
B2: 76 mm / 3"	H: 12.7 mm / 0.5"

SBS-4500 provides highly accurate horizontal balancing capabilities for rotors up to 4500kg (9920lbs).



Features

The SBS-4500 can support up to 4500kg (2250kg per base). The bearing have 2 positions, permitting diameters up to 254mm (10in). An elevation screw permits height adjustment up to 38.1mm (1.5in) for accurate leveling in case rotor supports differ in diameter.



Technical Specs

Max symmetric load	4500 kg (9920 lb) Pair 2250 kg (4960 lb) Unit
Minimum load	10 kg (22 lb) / Pair
Dimensions	381 x 114 x 530 mm
Weight	78 kg (172 lb) / Unit
Maximum axial load	340 N (77 lbf)
Bearing width	38 mm (1.5 in)
Maximum shaft diameter	25.4 mm (1 in)
Precision	0.01 g.mm/kg
Lock System	Yes
Elevation system	38.1 mm (1.5 in)
Accelerometer	Optional
Maximum shaft diameter With negative load supports	279.4 mm (11 in)

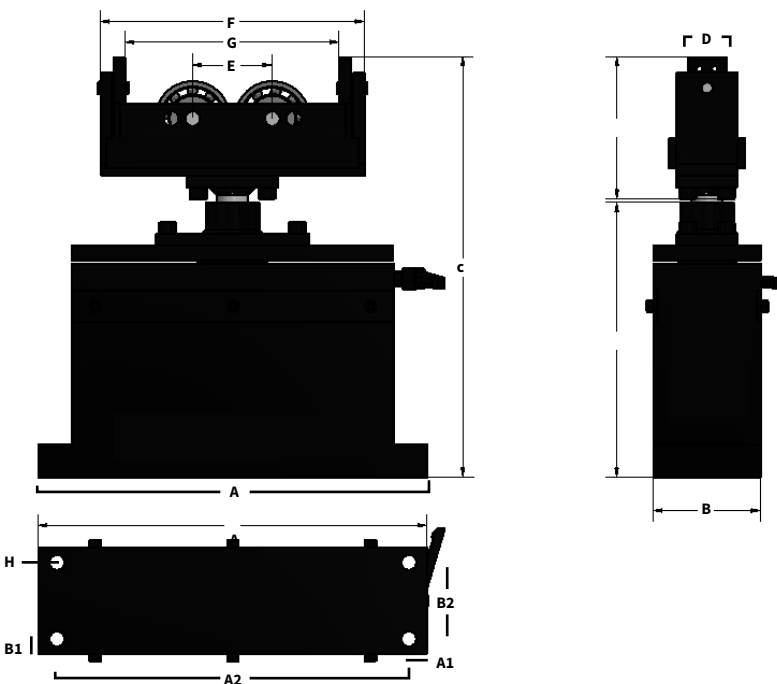
A:	381 mm / 15"	C:	530 mm / 21"
A1:	63.5 mm/2.5"	D:	127 mm / 5"
A2:	254 mm / 10"	E:	117mm / 4.6"
B:	101 mm/ 4"	F:	167 mm / 6.57"
B1:	25.4 mm / 1"	G:	286 mm / 11.275"
B2:	50 mm / 2"	H:	7.94 mm / 0.3125"

The **SBS-6000** provides highly accurate horizontal balancing capabilities for rotors up to 6000kg (13228lbs).



Features

The SBS-6000 can support up to 6000kg (3000kg each base) and the bearing have 2 positions permitting diameter up to 320.7mm (12.62in). An elevation screw permits height adjustment up to 35.72mm (1.8in) for accurate leveling in case rotor supports differ in diameter.



Technical Specs

Max symmetric load	6000 kg (13228 lb) Pair 3000 kg (6614 lb) Unit
Minimum load	15 kg (33 lb) / Pair
Dimensions	482 x 152 x 566 mm
Weight	119 kg (263 lb) / Unit
Maximum axial load	626 N (140 lbf)
Bearing width	69.85 mm (2.75 in)
Maximum shaft diameter	25.4 mm (1 in)
Precision	0.01 g.mm/kg
Lock System	Yes
Elevation system	45.72 mm (1.8 in)
Accelerometer	Optional
Maximum shaft diameter With negative load supports	320.7 mm (12.625 in)

A:	482.6 mm / 19"	C:	566.4 mm / 22.30"
A1:	50.8 mm / 2.00"	D:	152.4 mm / 6.00"
A2:	381 mm / 15"	E:	108 mm / 4.56"
B:	101 mm / 4"	F:	190.5 mm / 7.50"
B1:	38.1 mm / 1.5"	G:	320.6 mm / 12.62"
B2:	76.2 mm / 3"	H:	12.7 mm / 0.50"

ACCESSORIES

The soft bearing suspension **SBS Series** has a wide range of accessories and spare parts that maintain the performance and the reliability of your equipment.



Bearing Set

The bearings allow the rotor shaft to rotate freely on its axis in order to perform high precision dynamic balancing. Each set includes 4 bearings that fit perfectly with the SBS Series.



Negative load supports

Required to secure rotors with high vibration levels such as crankshafts. Each support includes bearings and has adjustable height.



DigivibeMX

DigivibeMX family of products feature simple easy-to-use vibration analysis and dynamic balancing solutions. From simple analysis to complex ODS simulations DigivibeMX is the answer.



Accelerometer

100 and 500mv/g accelerometer. Stainless steel construction. Rated for indoor and outdoor applications.



ERBESSD INSTRUMENTS®

WORLDWIDE toll-free:

+1-877-223-4606

ENGLISH:

Sales, Service & Support Engineer

+1-518-874-2700

info@erbessdreliability.com

SPANISH & FRENCH:

Sales, Service & Support Engineer

+52 (55) 6280-7654 / +52 (999) 469-1603

info@erbessd-instruments.com

BUY ONLINE

www.erbessdreliability.com

www.erbessd-instruments.com

ALL THE IMAGES ARE FOR ILLUSTRATIVE PURPOSES ONLY. THE FINAL PRODUCT MAY VARY DEPENDING ON THE VERSION AND/OR THE CHANGES OR UPGRADES MADE TO THE PARTS AND COMPONENTS OF THE DEVICES

© 2018 ERBESSD INSTRUMENTS LLC 2018

W-2018.0621.15